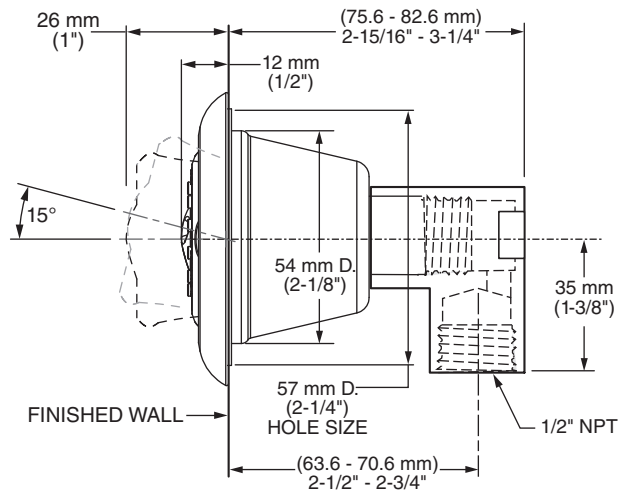
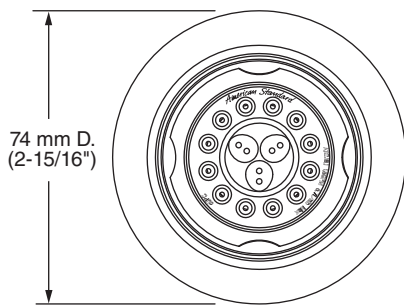


MODEL NUMBER:

- **1660.130 Multifunction Round Body Spray**
Flush mount. 1/2" NPT male connection.



GENERAL DESCRIPTION:

Flush mount body spray. Swivel spray with adjustable spray pattern automatically extends when water is turned on and auto retracts when water is turned off. Spray pattern adjusts from full spray to combination to massage. Spray position adjusts up to 15° in any direction. Easy clean spray nozzles. Brass escutcheon. Fits wall cavity using standard 2" x 4" studs. Installs as one piece. Plaster guard serves as a rough-in guide and pipe plug. 1.5 gpm/5.7 L/min. maximum flow rate.

PRODUCT FEATURES:

- Flush Mount:** Clean look.
- Adjustable Spray Pattern:** 3 spray options to customize shower experience to personal taste.
- Simple Spray Adjustment:** Spray position adjusts up to 15° in any direction.
- One Piece Installation:** No loose parts to lose or reassemble on site.
- Easy Clean Spray Nozzles:** Easily clean lime and calcium buildup.

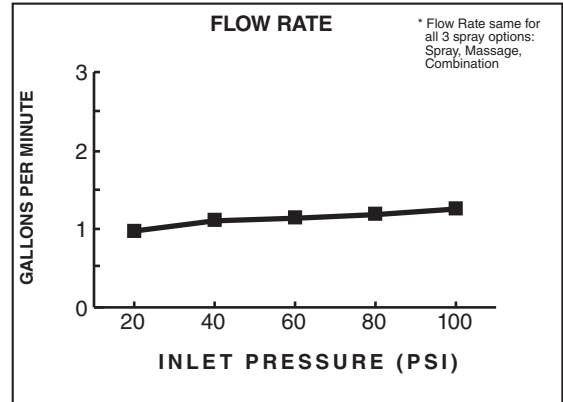
SUGGESTED SPECIFICATION

Body Spray shall be flush mount to wall projecting no more than 1/2" when not in use. Body spray shall have at least 3 spray patterns. Features an automatic swivel spray that extends when water is turned on and retracts when water is turned off. Fitting shall be American Standard Model # 1660.130._____ .

CODES AND STANDARDS

These products meet or exceed the following codes and standards:

ASME A112.18.1
CSA B125.1



Product Number	Description	Finish Options				
		Legacy Bronze	Polished Nickel	Polished Chrome	Oil Rubbed Bronze	Brushed Nickel
		278	013	002	224	295
1660.130	Extender Multifunction Round Body Spray.					