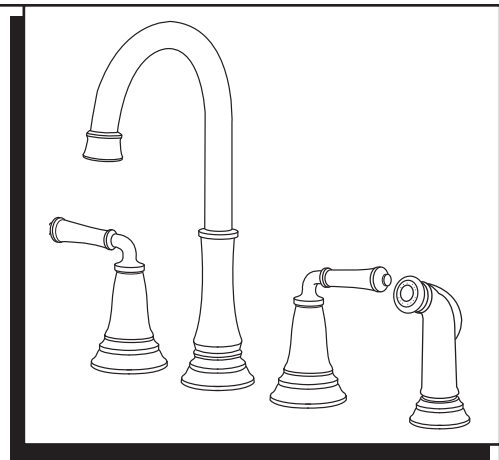


**DELANCEY™**  
**Dual Control Kitchen Faucet  
with Side Spray**

*Thank you for selecting American Standard...  
the benchmark of fine quality for over 100 years.*

**To ensure that your installation proceeds smoothly—please read  
these instructions carefully before you begin.**



Certified to comply with ANSI A112.18.1M

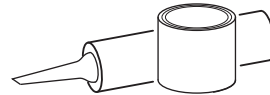
**RECOMMENDED TOOLS**



Channel Locks



Adjustable Wrench



Plumbers' Putty or Caulking

**1 INSTALL FAUCET WITH SPRAY**

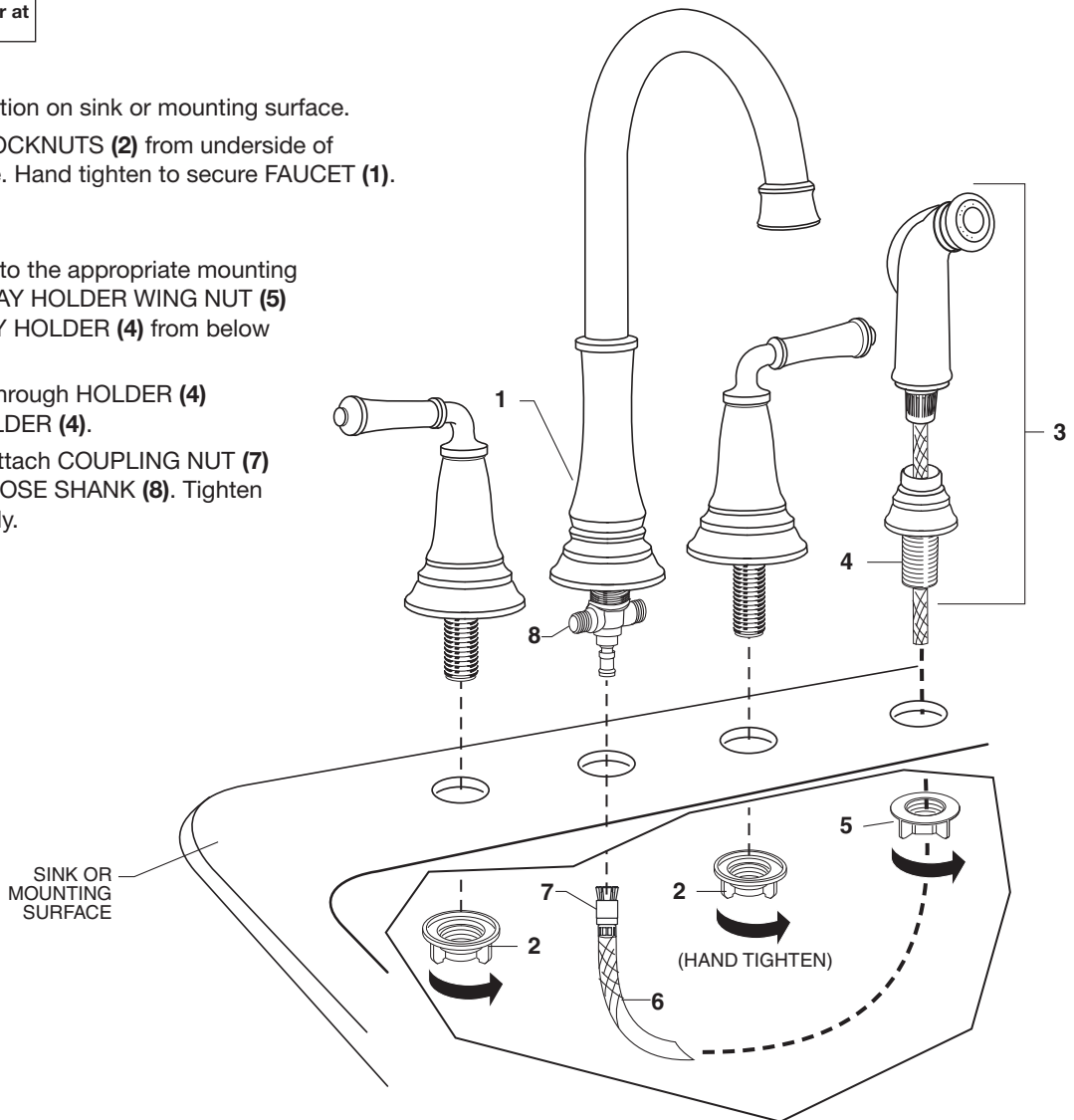
**CAUTION** Turn off water at main supply

**INSTALL FAUCET**

- Place FAUCET (1) in position on sink or mounting surface.
- Assemble and tighten LOCKNUTS (2) from underside of sink or mounting surface. Hand tighten to secure FAUCET (1).

**INSTALL SPRAY**

- Place the HOLDER (4) into the appropriate mounting hole. Assemble the SPRAY HOLDER WING NUT (5) onto the shank of SPRAY HOLDER (4) from below and hand tighten.
- Feed SPRAY HOSE (6) through HOLDER (4) so SPRAY (3) sits in HOLDER (4).
- From underneath sink, attach COUPLING NUT (7) of SPRAY HOSE (6) to HOSE SHANK (8). Tighten COUPLING NUT (7) firmly.



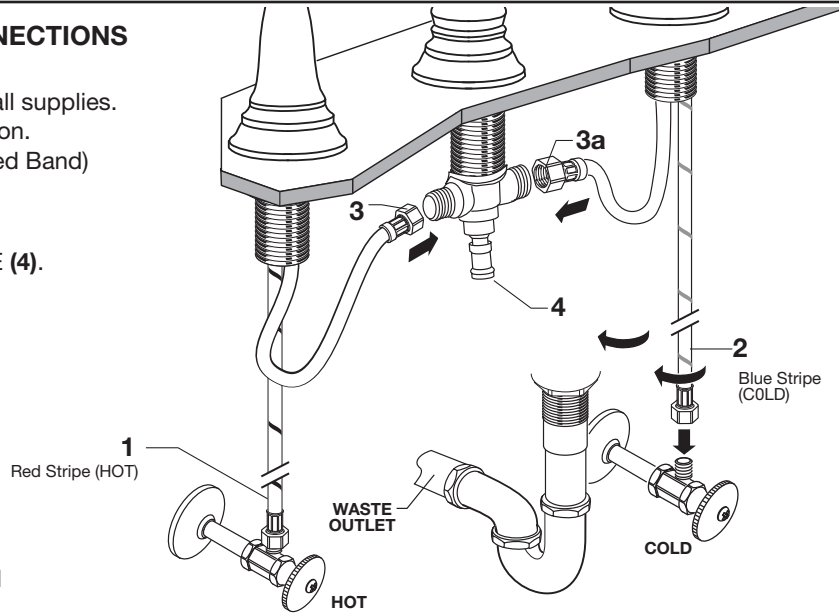
## 2 MAKE WATER SUPPLY AND WASTE CONNECTIONS

- Connect FLEXIBLE SUPPLIES (1, 2) directly to wall supplies. Connection on fitting supplies are 3/8" compression. Connect FLEXIBLE SUPPLY (1) (Marked with a Red Band) to the Left wall supply and FLEXIBLE SUPPLY (2) (Marked with a Blue Band) to Right wall supply.
- Connect the VALVE HOSES (3, 3a) to SPOUT TEE (4). Use adjustable wrench to tighten connections. Do not over tighten.
- Faucet supplies are 20" long from faucet base.

**Note: If additional supply length is required, installer must purchase additional parts separately.**

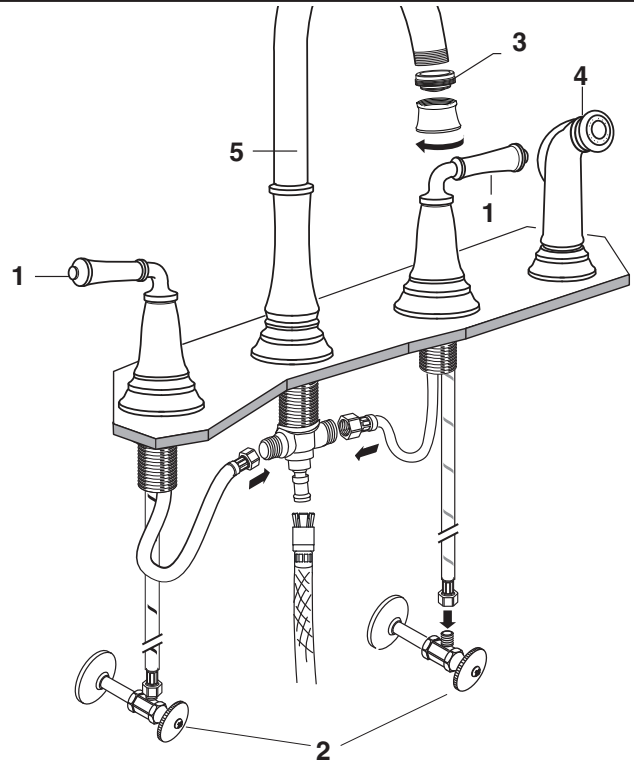
**Important: If SUPPLY HOSES (1, 2) are to long, loop as illustrated to avoid kinking.**

- Connect 1-1/4" O.D. tail piece on POP-UP DRAIN to waste outlet.



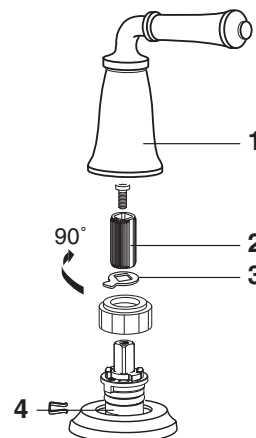
## 3 TEST INSTALLED FITTING

- With HANDLES (1) in OFF position, turn on WATER SUPPLIES (2) and check all connections for leaks. ➡
- Remove AERATOR (3).
- Operate both HANDLES (1) to flush water lines thoroughly.
- Rotate SPOUT (5) in both directions.
- Replace AERATOR (3). Direct SPRAY (4) into sink and activate. Check hose connections for leaks.



## 4 SERVICE

- To change direction of handle rotation, proceed as follows:
  - Turn valve to OFF position.
  - Pull off HANDLE (1).
  - Pull off STEM ADAPTER (2).
  - Remove SPRING CLIP (4).
  - Lift STOP WASHER (3), turn 90° and replace.
  - Replace SPRING CLIP (4) and STEM ADAPTER (2).
  - Reinstall HANDLE (1).
- If spout drips, operate handles several times from OFF to ON position. Do not force - handles turn only 90°.



7

**CARE INSTRUCTIONS:**

**DO: CLEAN WITH CLEAR WATER. DRY WITH A SOFT COTTON FLANNEL CLOTH.**

**DO NOT: DO NOT CLEAN THE PRODUCT WITH SOAPS, ACID, POLISH, ABRASIVES, HARSH CLEANERS, OR A CLOTH WITH A COARSE SURFACE.**

*American Standard*

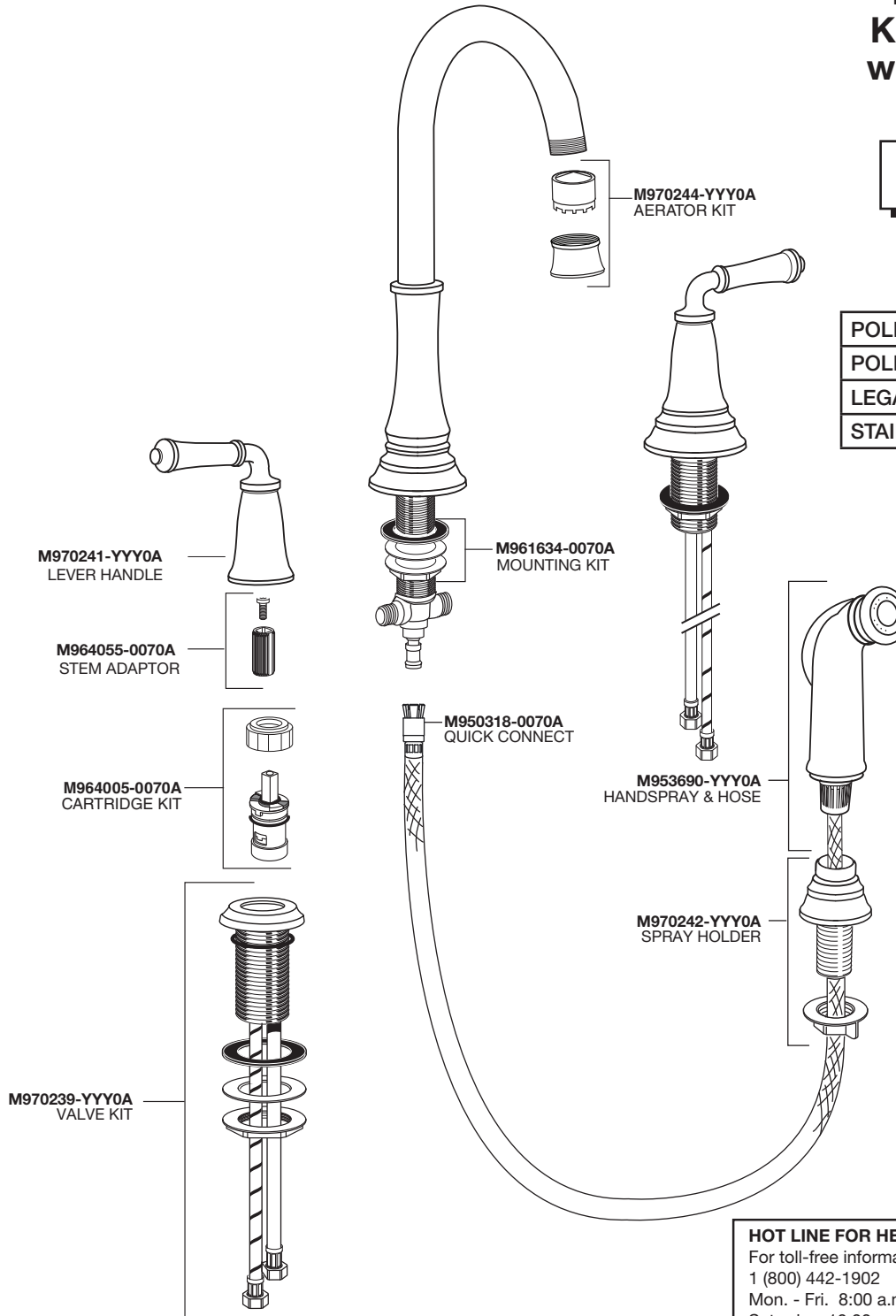
**DELANCEY™  
Dual Control  
Kitchen Faucet  
with Side Spray**

MODEL NUMBER

**4279.701**

Replace the "YYY" with appropriate finish code

POLISHED CHROME	002
POLISHED NICKEL	013
LEGACY BRONZE	278
STAINLESS STEEL	075



PART OF **LIXIL**

**HOT LINE FOR HELP**

For toll-free information and answers to your questions, call:  
1 (800) 442-1902

Mon. - Fri. 8:00 a.m. to 8:00 p.m. EST

Saturday 10:00 a.m. to 4:00 p.m. EST

IN CANADA 1-800-387-0369

(TORONTO 1-905-306-1093)

Weekdays 8:00 a.m. to 7:00 p.m. EST

IN MEXICO 01-800-839-1200

