

INSTALLATION INSTRUCTIONS

Colony/Cranada 0182 / 0184
 New Salem 0255.112 / 0255.212
 New Solar 0263.112 / 0263.212
 Enameled Steel Bath



Thank you for selecting American Standard - the benchmark of fine quality for over 100 years. To ensure this product is installed properly, please read these instructions carefully before you begin. (Certain installations may require professional help.) Also be sure your installation conforms to local codes.

CAUTION: RISK OF PERSONAL INJURY. ENAMELED STEEL BATHS ARE HEAVY. THIS IS A TWO PERSON INSTALLATION.

Recommended Tools & Materials

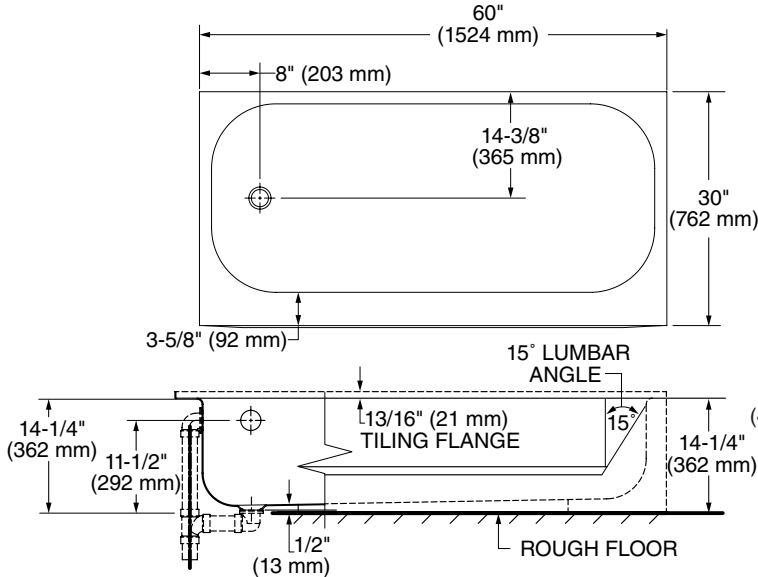
- Tape Measure
- Level
- Square
- Pliers
- Pipe Wrench
- Hacksaw
- Hammer
- Drywall Screw
- Teflon Tape
- Silicone Sealant
- Screwdriver
- Shims
- Bath/Shower Faucet
- Drain Assembly
- Wall Coverings, As Needed

1

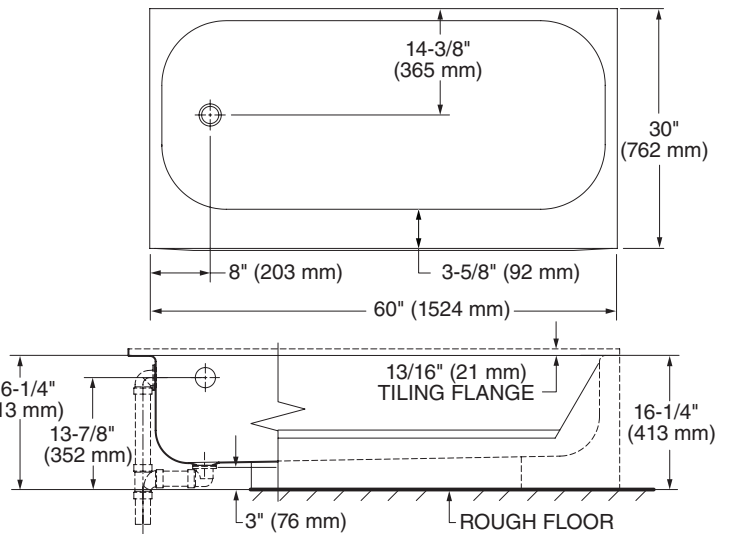
ROUGH-IN DIMENSIONS

NOTE: Measurements may vary plus or minus 1/4" (6mm).

New Salem 0255.112 / 0255.212



Colony / Cranada 0182 / 0184 New Solar 0263.112 / 0263.212

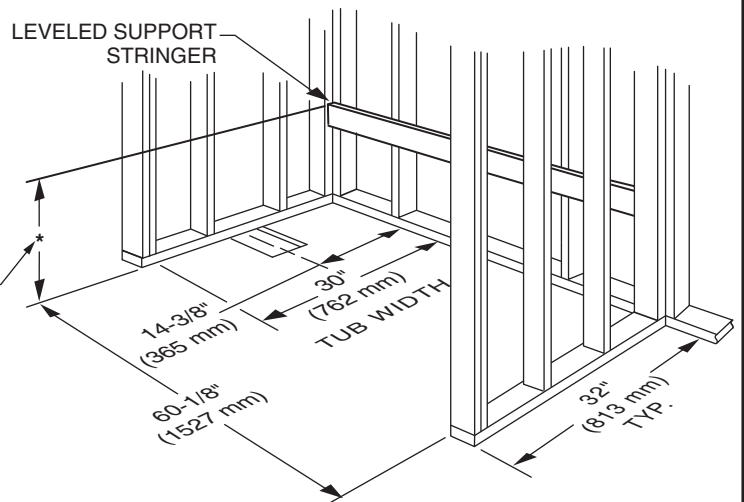


**LEFT HAND TUB ILLUSTRATED
 RIGHT HAND TUB IS REVERSED**

DETERMINE FRAMING ROUGH-IN

Construct a recess using 2 x 4 construction designed for your particular installation. Allow for thickness of finished wall material.

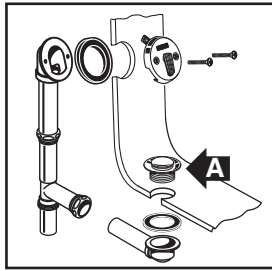
- *0255 - 14-1/4" (362 mm)
- *0263 - 16-1/4" (413 mm)
- *0182 - 16-1/4" (413 mm)
- *0184 - 16-1/4" (413 mm)



2 DRAIN

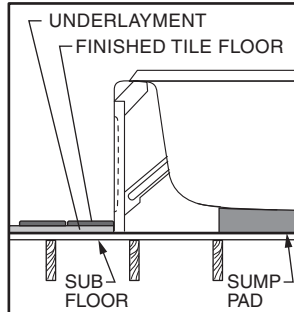
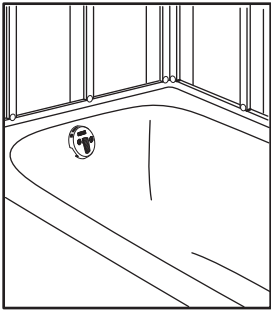
Install the overflow and drain assembly onto the tub per manufacturer's instructions.

Be certain to apply a bead of putty on the underside of drain (part "A") in order to ensure a water tight seal between the tub and drain. Remove excess putty after installing drain on tub.



3 INSTALLATION

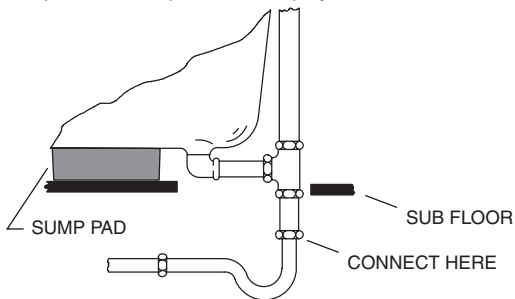
Position bathtub within the recess, check level, front to back, side to side. Also check drain clearance hole in sub floor. Insert the drain tailpiece into the trap.



INSTALL PLUMBING

CAUTION: Risk of damage to bath bottom and sub floor.

Ensure a watertight seal on all drain connections. When the bath is securely positioned, connect the drain to the trap. An access panel will simplify future maintenance.



4 COMPLETE FINISH WALL

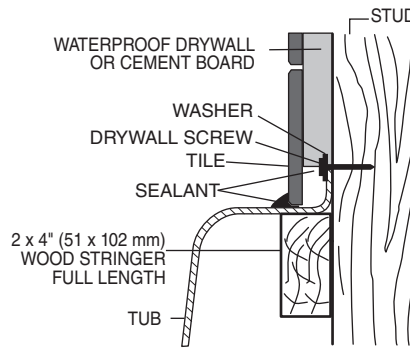
CAUTION: Risk of personal injury and product damage.

Secure the bath to studs with wall bracket or washer and screws as shown. Protect the bath surface. Cover the framing and walls with waterproof drywall or cement board.

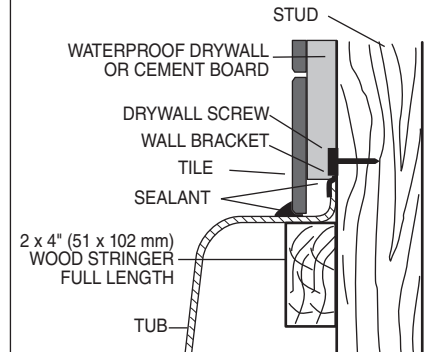
Apply a bead of silicone sealant where the drywall meets the bath. Install the wall covering so it is 1/16" above the enameled surface. Install the finish wall material to the subwall. Use silicone sealant to seal the joints between the bath rim and the finish wall.

Install the finish floor. Apply silicone sealant along the edge of the bath apron.

0263 MODELS



BRACKETS INCLUDED IN TUB MOUNTING KIT FOR 0182 AND 0184 MODELS



5

IMPORTANT CONSUMER INFORMATION

HOUSEKEEPING RESPONSIBILITIES

DANGER: Improper maintenance or cleaners may permanently remove the glossy porcelain finish on American Standard bathtubs.

NOTE:

DO NOT use steel wool, wire brushes, metal scrapers or abrasive sponge pads to clean a American Standard Bathtub.

DO NOT use high alkaline or strong acid cleaners.

DO NOT use abrasive cleaners.

Use only non-abrasive cleaners and a soft nylon brush to clean the surface. When using commercial cleaners, use cleaners with a pH of between three and eight.

Follow cleaner manufacturer instructions very carefully.

AS AMERICA, INC. ONE YEAR LIMITED WARRANTY

If inspection of this AS America, Inc. ("American Standard®") plumbing product, within one year after its initial purchase, confirms that it is defective in materials or workmanship, American Standard will repair or, at its option, exchange the product for a similar model.

This warranty applies only to the original owner and the original installation of these products. In the event of a warranty claim, proof of purchase will be required – save your sales receipt. This warranty is non-transferable to subsequent purchasers or owners. The sole exception to the non-transferability of this warranty is that if this product is purchased by a plumber, contractor or other service provider, this warranty extends to the first property owner on whose behalf the product was purchased for installation.

For this warranty to become effective, the warranty registration process must be completed via the internet or telephone per the warranty registration instructions.

This warranty does not apply to local building code compliance. Since local building codes vary considerably, the purchaser of this product should check with a local building or plumbing contractor to ensure local code compliance before installation. This warranty does not cover deterioration through normal wear and tear and the expense of normal maintenance.

This warranty is void if the product has been moved from its initial place of installation; if it has been subjected to faulty maintenance, abuse, misuse, accident or other damages; if it was not installed in accordance with American Standard's instructions; or if it has been modified in a manner inconsistent with the product as shipped by American Standard. Because American Standard cannot control the quality of products sold by unauthorized sellers, this warranty applies only to American Standard products which were purchased from American Standard or an American Standard authorized seller, unless otherwise prohibited by law. American Standard reserves the right to reject warranty claims from purchasers for products purchased from unauthorized sellers, including unauthorized Internet sites.

American Standard's option to repair or exchange the product under this warranty does not cover any labor or other costs of removal or installation. IN NO EVENT WILL AMERICAN STANDARD BE LIABLE FOR THE COST OF REPAIR OR REPLACEMENT OF ANY INSTALLATION MATERIALS, INCLUDING BUT NOT LIMITED TO, TILES, MARBLE, ETC. American Standard will not be responsible for any other incidental or consequential damages attributable to a product defect or to the repair or exchange of a defective product, all of which are expressly excluded from this warranty. Some States do not allow the exclusion or limitation of incidental or consequential damages, so this limitation or exclusion may not apply to you. ANY IMPLIED WARRANTIES, INCLUDING THOSE OF MERCHANTABILITY OR FITNESS FOR AN INTENDED PURPOSE, ARE LIMITED IN DURATION TO THE DURATION OF THIS WARRANTY. Some States do not allow limitations on how long an implied warranty lasts, so this limitation may not apply to you.

This warranty gives you specific legal rights, and you may also have other rights which vary from State to State.

Obtaining Warranty Service

If you believe that you have a warranty claim, contact American Standard, either through an authorized AS America, Inc. dealer or re-seller, by writing to the addresses below, or visiting the website below:

In the United States:

American Standard Brands
30 Knightsbridge Rd., Suite 301
Piscataway, New Jersey 08854
Attention: Director of Customer Care

For residents of the United States, warranty information may also be obtained by calling the following toll free number: (800) 442-1902
www.americanstandard.com

In Canada:

LIXIL Canada, Inc.
5900 Avebury Rd.
Mississauga, Ontario
Canada L5R 3M3
Toll Free: (800) 387-0369
www.americanstandard.com

In Mexico:

American Standard B&K Mexico
S. de R.L. de C.V.
Via Morelos #330
Col. Santa Clara
Ecatepec 55540 Edo. Mexico
Toll Free: 01-800-839-1200
www.americanstandard.com.mx

THIS WARRANTY IS NOT TRANSFERABLE FROM ORIGINAL CONSUMER PURCHASER.