

# 6042SMIN – EVERYDAY BATHS

60 x 42 x 18 inches

SOAKER MODEL #6042SMIN

WHIRLPOOL MODEL #6042SMINWVP



## FEATURES

- Alcove bath
- Integral skirt
- Deep bathing well
- Ergonomic backrest
- Slip-resistant textured bottom
- Left or right hand drain
- AcrylX™ applied acrylic surface
- Lifetime limited warranty

### Whirlpool Features:

- 6 directional hydrotherapy jets
- Available in White and Biscuit/Linen only
- Color matched trim
- Pneumatic on/off control
- Advanced safety suction system
- Removable access panels

## OPTIONS

- Designer drain, waste & overflow

### AQUATIC ADVANTAGE

- National distribution
- 7 manufacturing facilities
- Private fleet
- Centralized customer service
- Field support

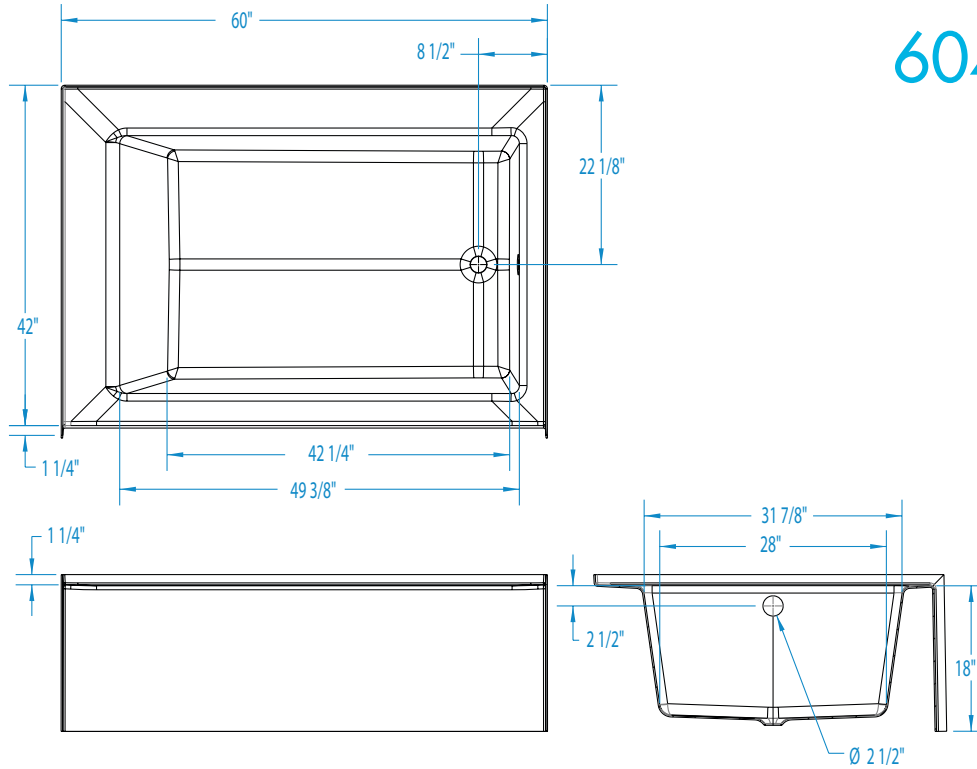
### COLOR OPTIONS

| Stock | Upgraded                        | Premium  |
|-------|---------------------------------|--|
| White | Almond<br>Biscuit/Linen<br>Bone | Black<br>Mexican Sand<br>Sand Bar<br>Sterling Silver |



# 6042SMIN

60 x 42 x 18 inches



**FEATURES** lbs Dimensional Tolerance  $\pm \frac{3}{16}$ ". Dimensions needed for site preparation should be measured from the unit. Aquatic assumes no responsibility for preparatory work.

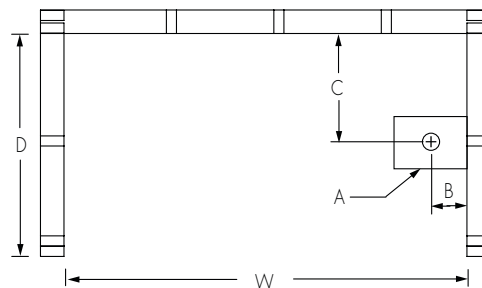
| Model #               | Material | Jets | Motor  | Controls  | Drain    | Net Wt. | Pkg. Wt. |
|-----------------------|----------|------|--------|-----------|----------|---------|----------|
| Soaker #6042SMIN      | AcrylX™  | 0    | -      | -         | LH or RH | 62      | 67       |
| Whirlpool #6042SMINWP | AcrylX™  | 6    | 63 GPM | Pneumatic | LH or RH | 102     | 107      |

## DIMENSIONS

| Specifications                  | inches      |
|---------------------------------|-------------|
| Width: Overall / Net            | 60          |
| Depth: Overall / Net            | 42 / 42     |
| Height: Overall / Net           | 19 1/4 / 18 |
| Enclosure Opening               | -           |
| Skirt Height                    | 18          |
| Drain Rough-In (from Back Wall) | 22 1/8      |
| Drain Rough-In (from Side Wall) | 2 1/8       |
| Drain: Diameter / Clearance     | 2 / 3/4     |

## FRAMING DIMENSIONS inches

| Type   | D<br>Depth | W<br>Width | H<br>Height | A       | B     | C      |
|--------|------------|------------|-------------|---------|-------|--------|
| Alcove | 33 1/2     | 60 1/8     | 19 1/4      | Box Out | 2 1/8 | 22 1/8 |



## SUMP DATA

| Top of Drain to Bottom of Overflow | Capacity to Overflow gal | Min. Operating Capacity gal | WIDTH @ centerline |        | DEPTH @ centerline |        |
|------------------------------------|--------------------------|-----------------------------|--------------------|--------|--------------------|--------|
|                                    |                          |                             | Top                | Bottom | Top                | Bottom |
| 12 5/8                             | 67                       | 45                          | 49 3/8             | 42 1/4 | 31 7/8             | 28     |