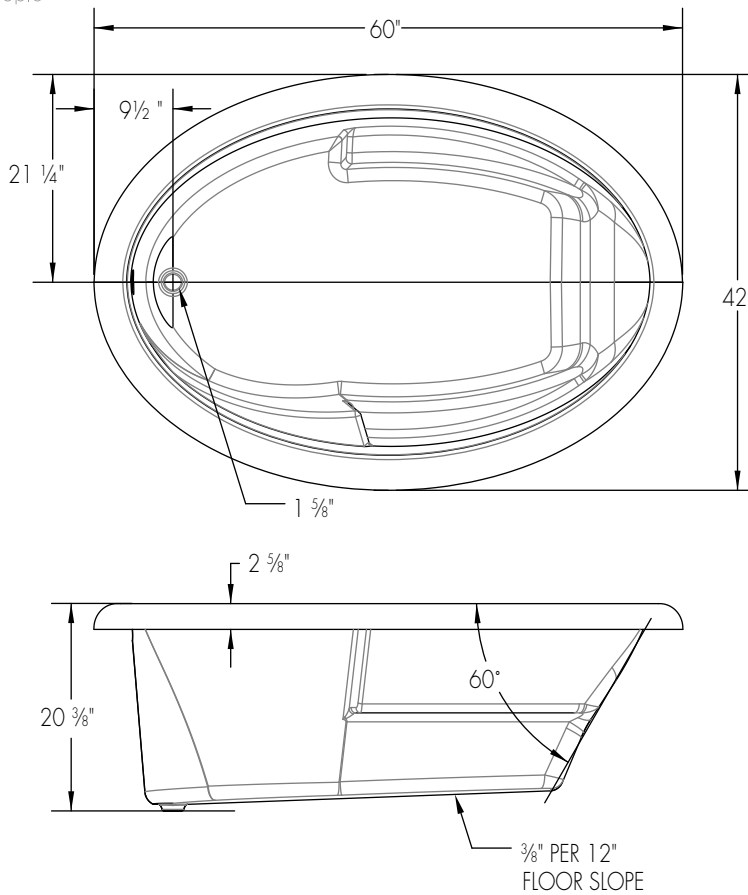


**2860420V** (Soaker)  
**2860421V** (Whirlpool)

60 x 42 x 23 inches



**FEATURES**

Dimensional Tolerance  $\pm 3/8"$ . Dimensions needed for site preparation should be measured from the unit. Aquatic assumes no responsibility for preparatory work.

Type and Model #	Material	Jets	Pump	Heater	Controls	Drain	Pkg. Wt. (lbs)
Soaker #2860420V	Cast Acrylic	0	–	–	–	Universal	84
Whirlpool #2860421V	Cast Acrylic	6	63 GPM	1.5kW inline (optional)	Pneumatic	Universal	134

**DIMENSIONS** inches

Width Overall / Net	Depth Overall / Net	Height Overall / Net	Skirt Height
60	42	23	–

**SUMP DATA** inches

Capacity to Overflow gal (ltr)	Min. Operating Capacity gal (ltr)	WIDTH @ centerline		DEPTH @ centerline	
		Top	Bottom	Top	Bottom
57	44	52	38 1/2	34	23

**PLUMBING DIMENSIONS** inches

A	B	Drain to Overflow	Drain Diameter / Clearance
2	9 1/2	16 3/8	2 / 1 1/4

**ELECTRICAL DATA**

Component	Specification	Requirement
Pump	5 AMP; 120 V	15 AMP; 120V, separate circuit; Class A GFCI

**NOTES:**

1) Where applicable, utilize cut-out templates packed with unit for deck cutouts.

2) 16 x 16 minimum access required at pump/blower location(s).

Optional Heater (whirlpool model)	1.5KW; 12 AMP; 120 V	15 AMP; 120V, separate circuit; Class A GFCI
-----------------------------------	----------------------	--