

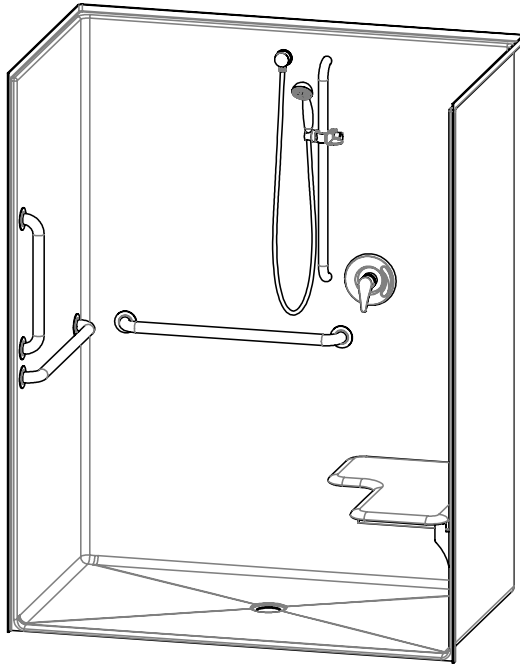
16034BFSC – ACCESSIBLE SHOWERS

inches

Interior: 60 x 34 ¼ x 76 ¼

Exterior: 62 x 37 x 77 ¾

The 16034BFSC roll-in shower features innovative installation design, including an engineered leveled base and improved front threshold. A true time and money saver, our pre-leveled base lets you install directly on a **level** floor. And its front threshold is engineered to keep a constant level without the use of brackets during installation.



AQUATIC ADVANTAGE

- National distribution
- 7 manufacturing facilities
- Private fleet
- Centralized customer service
- Field support

COLOR & TRIM OPTIONS

Stock	Upgraded
White	Almond Biscuit Bone

**Additional custom colors available.
(Contact Customer Service)

FEATURES

- Pre-leveled base
- AcrylX™ applied acrylic surface
- ¼ skirt
- No interior threshold
- ½ exterior threshold
- Barrier free when properly installed
- Smooth wall
- Center drain
- West zone only
- Lifetime limited warranty (30 year commercial)

OPTIONS

- Grab bars
- Fold-up seat
- Hand-held shower assembly with slide bar
- Pressure balancing mixing valve
- Soap dish
- Curtain rod and/or shower curtain

CODE COMPLIANCE

- ADA
- FHA
- ICC/ANSI A117.1
- IAPMO Z124-2017
- HUD UM73a
- CAN/CSA-B651-12
- CSA-B45-11

**Code compliant when fully equipped and installed according to guidelines.



Aquatic products may be specified as Lasco Bathware.



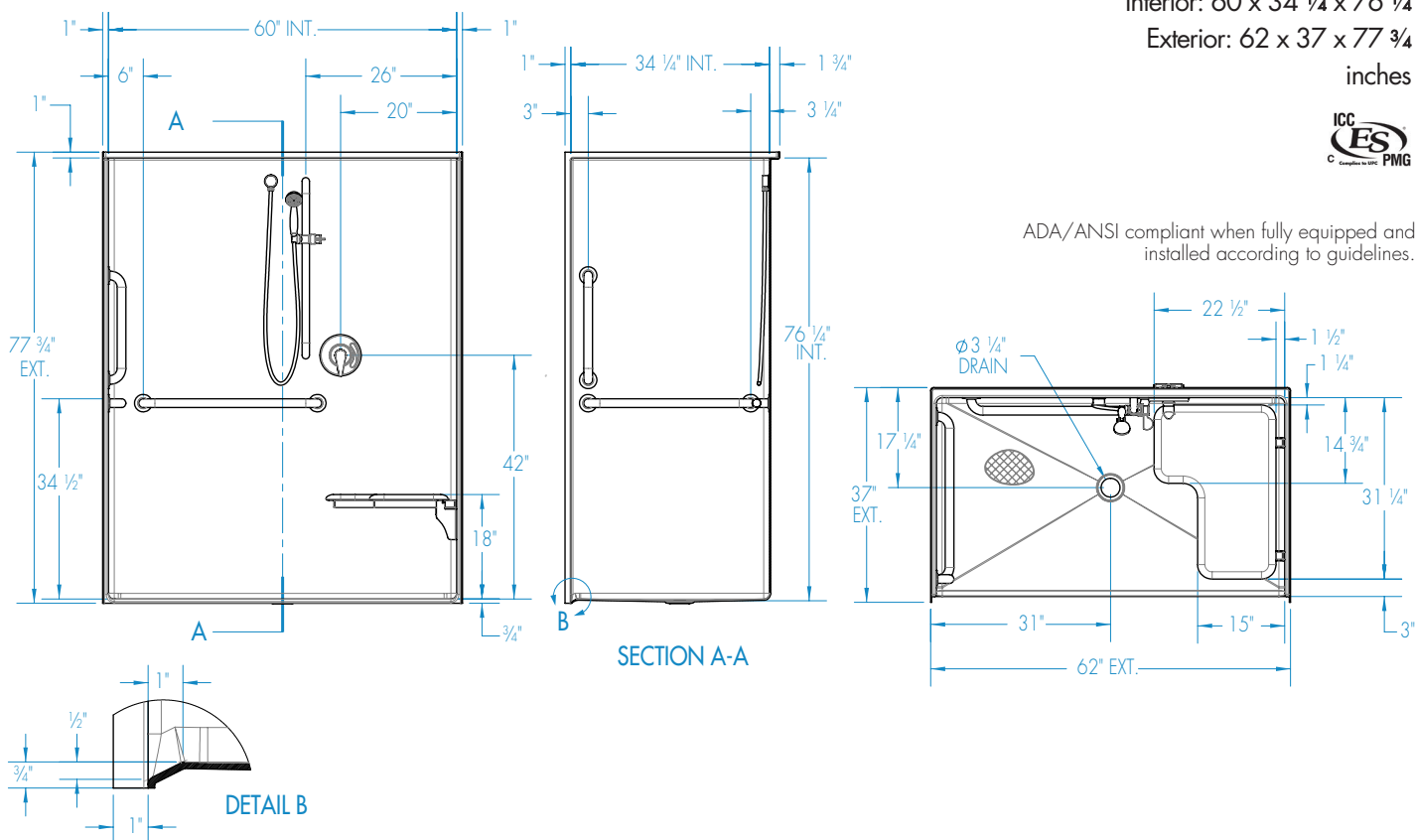
Aquatic products may be specified as Lasco Bathware.

16034BFSC

Interior: 60 x 34 1/4 x 76 1/4
Exterior: 62 x 37 x 77 3/4
inches



ADA/ANSI compliant when fully equipped and installed according to guidelines.



FEATURES

Dimensional Tolerance $\pm 3/8"$. Dimensions needed for site preparation should be measured from the unit. Aquatic assumes no responsibility for preparatory work.

Type and Model #	Material	Wall Finish	Pieces	Drain	Dam/Skirt Height	Net Wt. lbs	Pkg. Wt. lbs
Shower # 16034BFSC	AcrylX™	Smooth	1	Center	1/4" skirt, no interior threshold, 1/2" exterior threshold	202	212

DIMENSIONS

Specifications	inches
Width: Ext. / Int.	62 / 60
Depth: Ext. / Int.	37 / 34 1/4
Height: Ext. / Int.	77 3/4 / 76 1/4
Enclosure Opening:	60
Skirt Height:	1/4
Drain Rough-In (from Back Wall)	17 1/4
Drain Rough-In (from Side Wall)	31

FRAMING DIMENSIONS inches

Type	D Depth	W Width	H Height	A	B	C
Alcove	37	62 1/8	-	Box Out	31	17 1/4

