

F5038PAN – ACCESSIBLE SHOWER BASE

inches

Interior: 48 x 37 x 2 ¾

Exterior: 50 x 38 x 4 ¾

This shower base features innovative installation design, including an engineered leveled base and improved front threshold. A true time and money saver, our pre-leveled base lets you install directly on a **level** floor. And its front threshold is engineered to keep a constant level without the use of brackets during installation.



FEATURES

- Pre-leveled base
- AcrylX™ applied acrylic surface
- 4" skirt
- Integral nailing flange
- Center drain
- Lifetime limited warranty (30 year commercial)

CODE COMPLIANCE

- IAPMO Z124-2017
- CSA B45-11
- ICC/ANSI A117.1

**Code compliant when fully equipped and installed according to guidelines.

AQUATIC ADVANTAGE

- 7 manufacturing facilities
- Private fleet
- Centralized customer service
- Field support

COLOR & TRIM OPTIONS

Stock	Upgraded
White	Almond Biscuit Bone

**Additional custom colors available.
(Contact Customer Service)

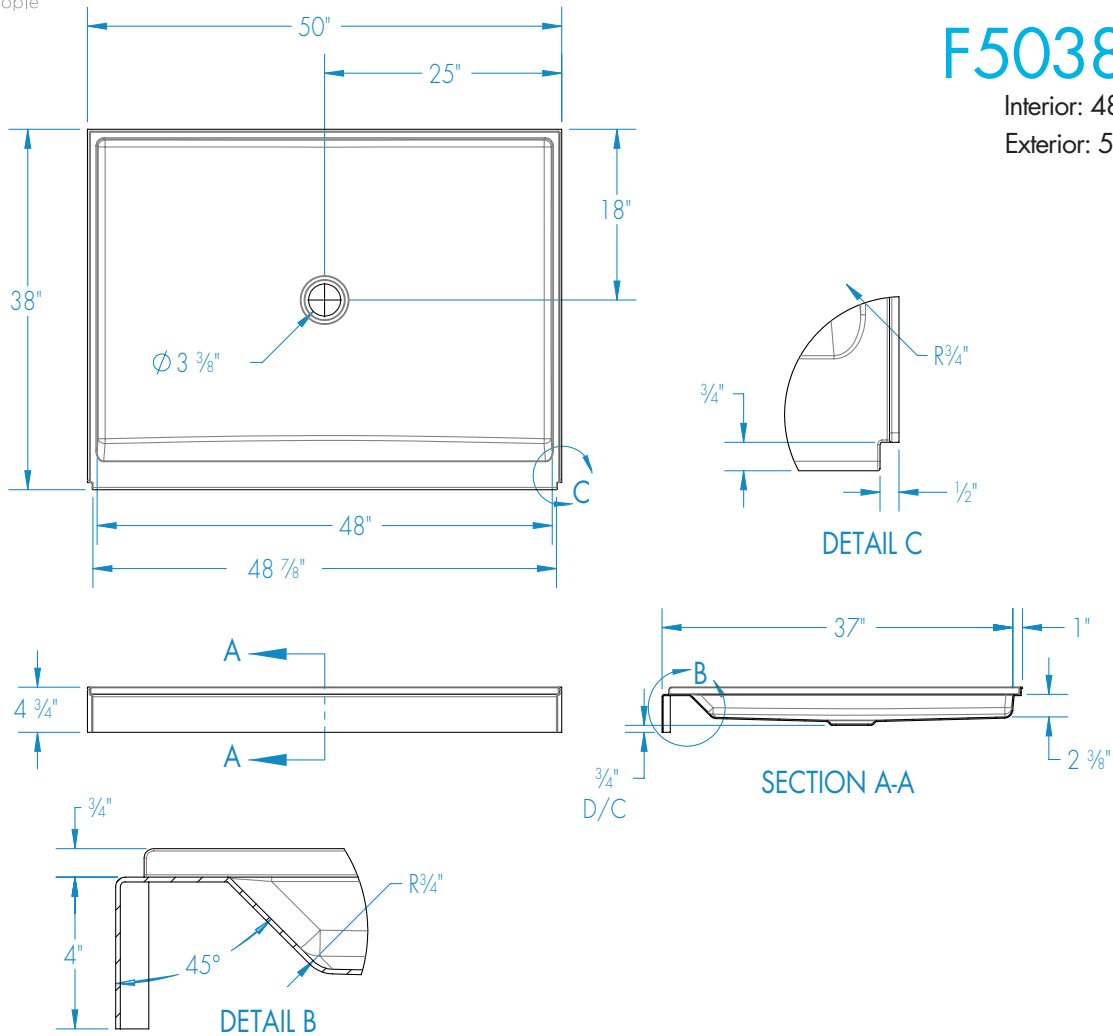


Aquatic products may be specified as Lasco Bathware.



F5038PAN

Interior: 48 x 37 x 2 3/4
 Exterior: 50 x 38 x 4 3/4
 inches



FEATURES

Dimensional Tolerance $\pm \frac{3}{8}"$. Dimensions needed for site preparation should be measured from the unit. Aquatic assumes no responsibility for preparatory work.

Type and Model #	Material	Wall Finish	Pieces	Drain	Dam/Skirt Height	Net Wt. lbs	Pkg. Wt. lbs
Shower pan #F5038PAN	AcrylX™	Smooth	1	Center	4	30	35

DIMENSIONS

Specifications	inches
Width: Ext. / Int.	50 / 48
Depth: Ext. / Int.	38 / 37
Height: Ext. / Int.	4 3/4 / 2 3/4
Skirt Height:	4
Rough-In (from Back Wall)	18
Rough-Center (from Side Wall)	25

FRAMING DIMENSIONS inches

Type	D Depth	W Width	H Height	A	B	C
Alcove	37 1/4	50 1/8	-	Box Out	25	18

