

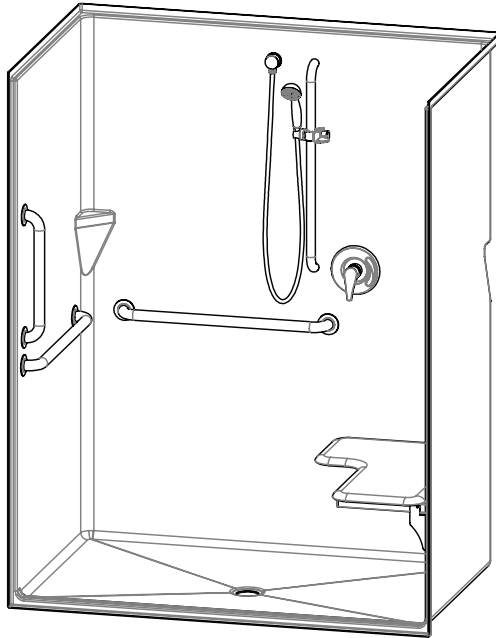
16037BFSD – ACCESSIBLE SHOWERS

inches

Interior: 60 x 36 5/8 x 77

Exterior: 62 x 39 3/8 x 78 3/4

The 16037BFSD roll-in shower features innovative installation design, including an engineered leveled base and improved front threshold. A true time and money saver, our pre-leveled base lets you install directly on a **level** floor. And its front threshold is engineered to keep a constant level without the use of brackets during installation.



AQUATIC ADVANTAGE

- National distribution
- 7 manufacturing facilities
- Private fleet
- Centralized customer service
- Field support

COLOR & TRIM OPTIONS

| Stock | Upgraded |
|-------|---------------------------|
| White | Almond Biscuit Bone |

**Additional custom colors available.
(Contact Customer Service)

FEATURES

- Pre-leveled base
- AcrylX™ applied acrylic surface
- 1" skirt
- 1/4" beveled threshold
- Barrier free when properly installed
- Smooth wall
- Center drain
- East zone only
- Lifetime limited warranty (30 year commercial)

OPTIONS

- Grab bars
- Fold-up seat
- Hand-held shower assembly with slide bar
- Pressure balancing mixing valve
- Soap dish
- Curtain rod and/or shower curtain

CODE COMPLIANCE

- ADA
- FHA
- ICC/ANSI A117.1
- IAPMO Z124-2017
- HUD UM73a
- CAN/CSA-B651-12
- CSA-B45-11

**Code compliant when fully equipped and installed according to guidelines.



Aquatic products may be specified as Lasco Bathware.

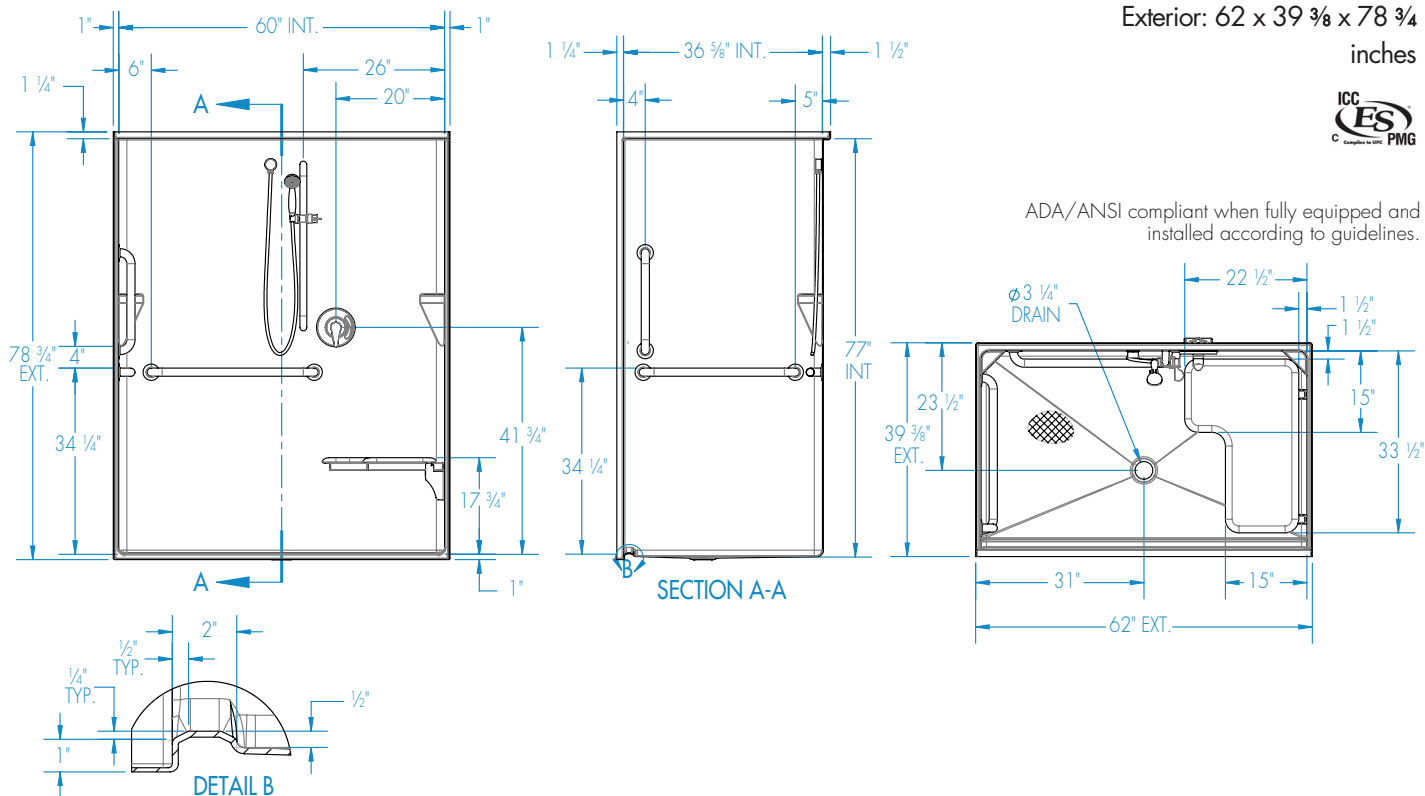


16037BFSD

Interior: 60 x 36 5/8 x 77
Exterior: 62 x 39 3/8 x 78 3/4
inches



ADA/ANSI compliant when fully equipped and installed according to guidelines.



FEATURES

Dimensional Tolerance $\pm 3/8"$. Dimensions needed for site preparation should be measured from the unit. Aquatic assumes no responsibility for preparatory work.

| Type and Model # | Material | Wall Finish | Pieces | Drain | Dam/Skirt Height | Net Wt. lbs | Pkg. Wt. lbs |
|-------------------|----------|-------------|--------|--------|----------------------------|-------------|--------------|
| Shower #16037BFSD | AcrylX™ | Smooth | 1 | Center | 3/4" skirt, 1/2" threshold | 202 | 212 |

DIMENSIONS

| Specifications | inches |
|---------------------------------|-----------------|
| Width: Ext. / Int. | 62 / 60 |
| Depth: Ext. / Int. | 39 3/8 / 36 5/8 |
| Height: Ext. / Int. | 78 3/4 / 77 |
| Enclosure Opening: | 60 |
| Skirt Height: | 3/4 |
| Drain Rough-In (from Back Wall) | 23 1/2 |
| Drain Rough-In (from Side Wall) | 31 |

FRAMING DIMENSIONS inches

| Type | D Depth | W Width | H Height | A | B | C |
|--------|---------|---------|----------|---------|----|--------|
| Alcove | 39 3/8 | 62 1/8 | - | Box Out | 31 | 23 1/2 |

