



STAINLESS STEEL

# REMOVABLE 12" SIDE SPLASH

## For Sinks & Dishtables

**FEATURES:**

- Removable Side Splash for easy cleaning.
- Easily mounts directly to Advance Tabco Sink & Dishtable rims (See Grid)
- Accommodates left & right sides.
- Protects nearby areas from getting contaminated.

**MATERIAL:**

16 gauge type 304 Series.

**CONSTRUCTION:**

Welded areas blended to match adjacent surfaces and to a satin finish.



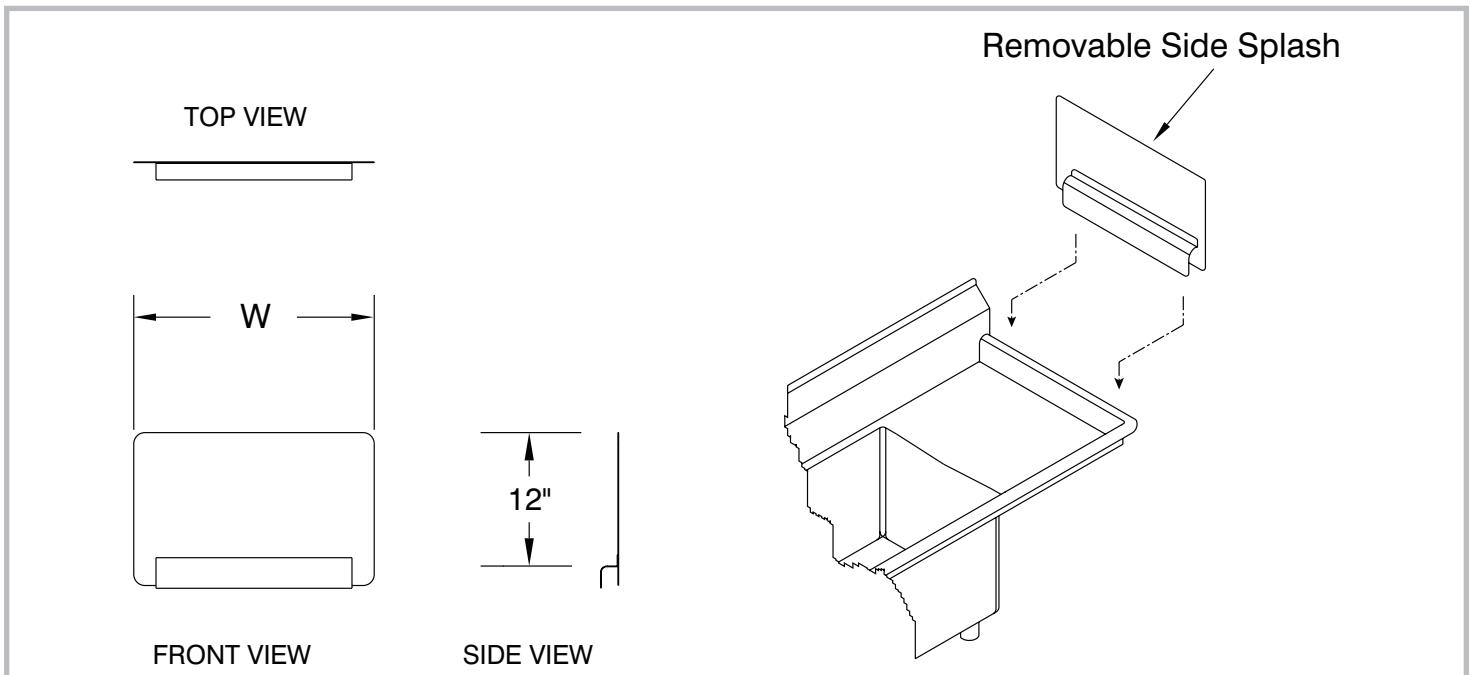
| Model #                                | O.A. Size W x H | Compatibility                          | Approx. Wt. | Approx. Cu. |
|--|-----------------|--|-------------|-------------|
| <b>Removable Splash For Sinks</b>      |                 |  |             |             |
| <b>K-700</b>                           | Custom          | For all other sink sizes               | N/A         | N/A         |
| <b>K-700F-18</b>                       | 18" x 12"       | For sinks with 18" front-to-back bowls | 4 lbs.      | 1           |
| <b>K-700F-24</b>                       | 24 x 12"        | For sinks with 24" front-to-back bowls | 4 lbs.      | 1           |
| <b>Removable Splash For Dishtables</b> |                 |  |             |             |
| <b>K-700D</b>                          | 24 x 12"        | For all dishtables                     | 4 lbs.      | 1           |

Specify model to be installed on

## DIMENSIONS and SPECIFICATIONS

TOL ± .500"

ALL DIMENSIONS ARE TYPICAL



Customer Service Available To Assist You **1-800-645-3166** 8:30 am - 7:00 pm E.S.T.

For Orders & Customer Service:

Email: [customer@advancetabco.com](mailto:customer@advancetabco.com) or Fax: 631-242-6900

For Smart Fabrication™ Quotes:

Email: [smartfab@advancetabco.com](mailto:smartfab@advancetabco.com) or Fax: 631-586-2933