



K-105 14" SWING SPOUT SPLASH MOUNT FAUCET

Conforms To NSF 61/9 Lead Free Requirements



**FAUCET AERATOR CONFORM TO
ASTM.A112.18.1M • 1.0 GPM/3.8 LP
THREAD: 55/64 - 27 FEMALE**

Item #: _____ Qty #: _____

Model #: _____

Project #: _____

FEATURES:

- 14" swing spout.
- 8" O.C. water supply.
- Quarter-turn wedge style handles.
- Colored hot & cold Indexes.
- 1.0 GPM/3.8 LPM Aerator. 60 PSI.

MATERIAL:

- Brass chrome plated body & spout.
- Chrome plated handles.



**Click This Link To
View Assembly Sheet**

DIMENSIONS and SPECIFICATIONS

Options & Accessories

Replacement Spout For K-105 Faucet

14" Swing Spout.



K-11SP

Replacement Cartridges For K-105 Faucet



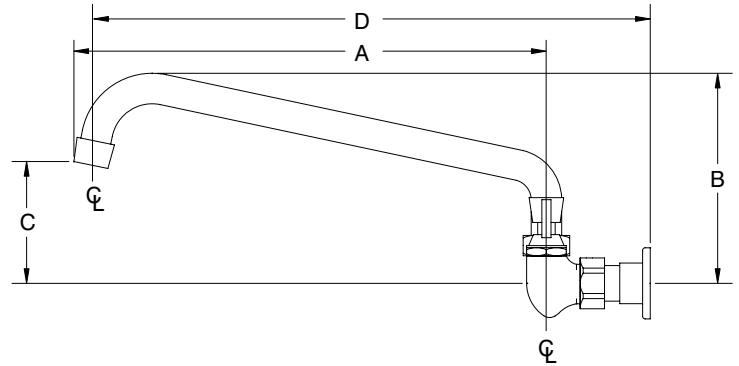
K-07 (Set)

Low Flow Aerator

.5 GPM



K-08



A	B	C	D	On Center Dimensions
Length	Height			
14"	5"	3"	16"	8" O.C.

⚠ WARNING:

Faucet(s) on this page may expose you to chemicals, including lead, that are known to the State of California to cause cancer or birth defects or other reproductive harm. For more Info., visit www.p65warnings.ca.gov.



Customer Service Available To Assist You 1-800-645-3166 8:30 am - 7:00 pm E.S.T.

For Orders & Customer Service:

Email: customer@advancetabco.com or Fax: 631-242-6900

For Smart Fabrication™ Quotes:

Email: smartfab@advancetabco.com or Fax: 631-586-2933